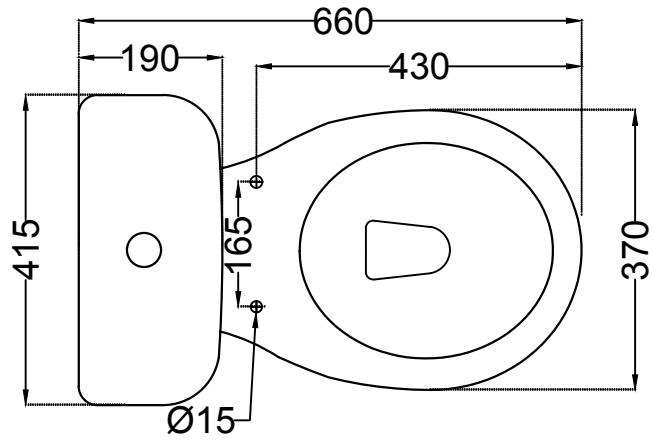
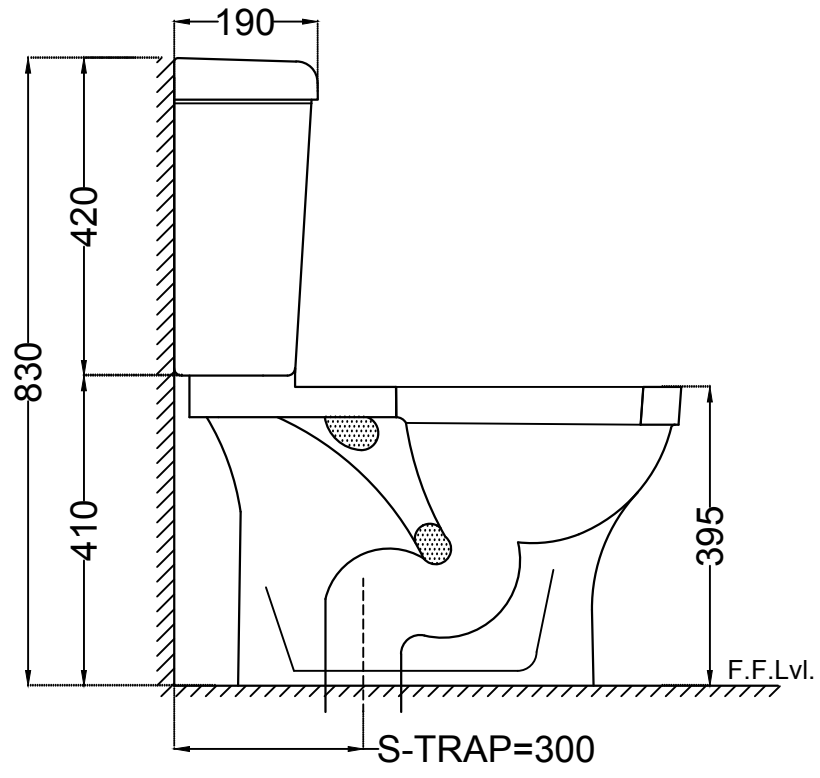


CNS-WHT-751S300SPPZ



TOP VIEW



SIDE VIEW

ALL DIMENSIONS ARE IN MM.  
(TOLERANCE ± 5 MM)